

FOUOFT" 65065860

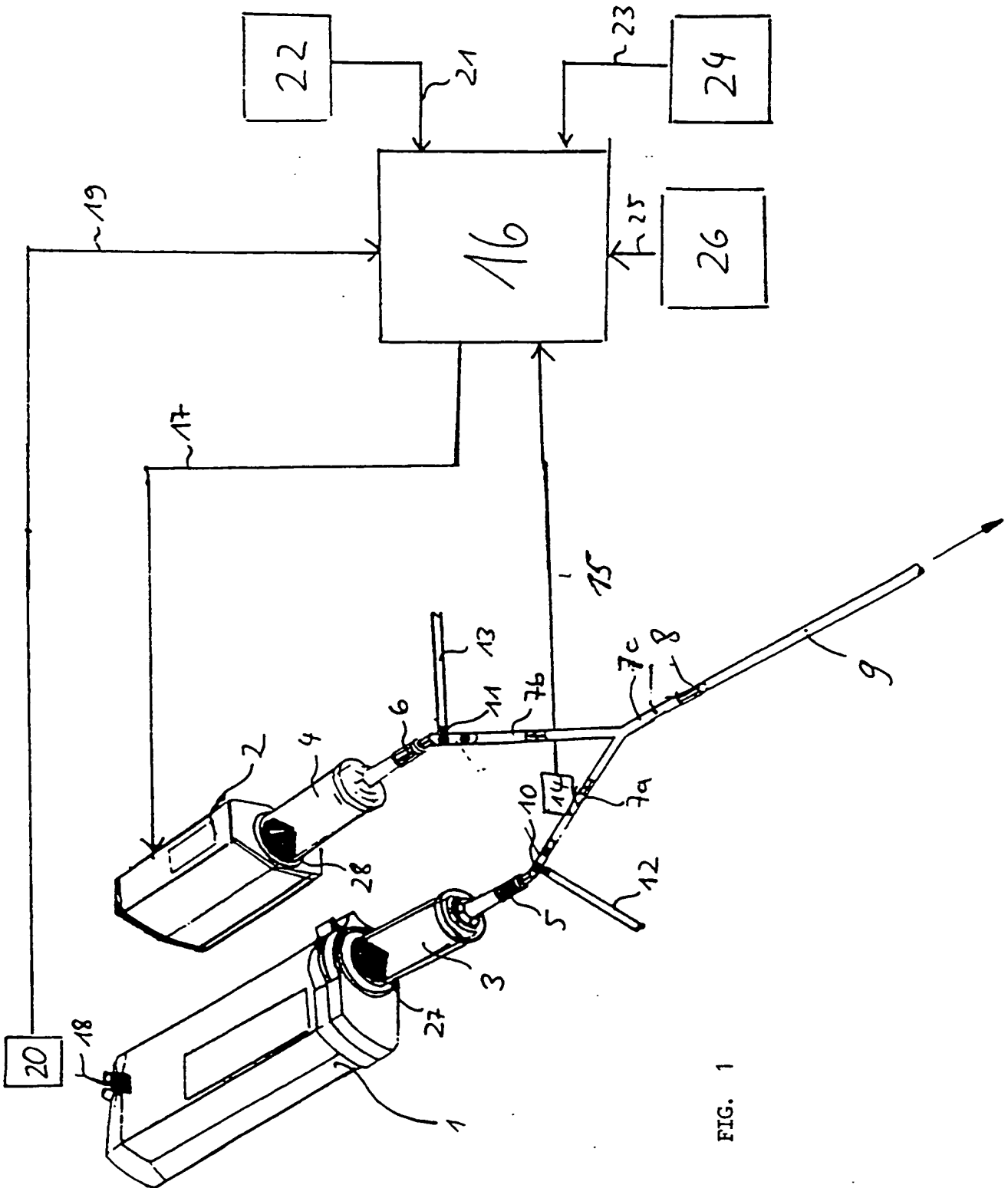


FIG. 1